

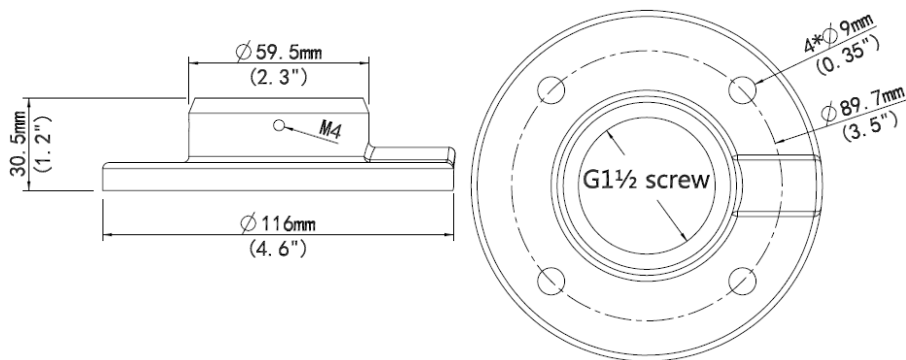
# TR-UF45-A-IN PTZ Dome Indoor Pendant Mount



## Specifications

|             |                                       |
|-------------|---------------------------------------|
| Bracket     | TR-UF45-A-IN                          |
| Application | Indoor, PTZ dome pendant installation |
| Dimensions  | Φ116mmx30.5mm(Φ4.6" x1.2")            |
| Weight      | 0.3kg(0.66lb)                         |
| Material    | Aluminum alloy                        |

## Dimensions



### Zhejiang Uniview Technologies Co.,Ltd.

South Tower, Building 10, Wanlun Science Park, 88 Jiangling Road, Hangzhou, P.R.China 310051

Email: [overseasbusiness@uniview.com](mailto:overseasbusiness@uniview.com); [globalsupport@uniview.com](mailto:globalsupport@uniview.com)

<http://www.uniview.com>

©2015 Zhejiang Uniview Technologies Co.,Ltd. All rights reserved.

\*Product specifications and availability are subject to change without notice.